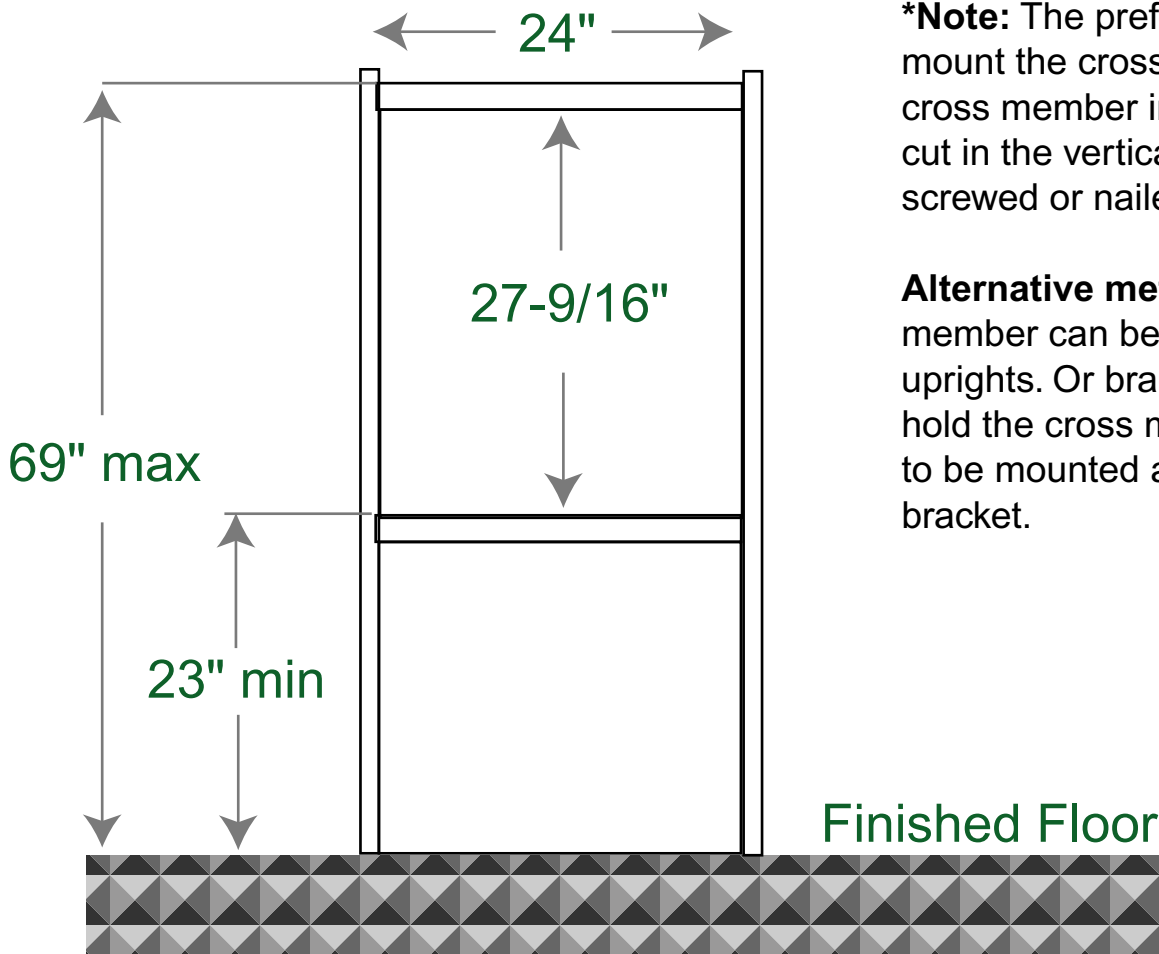


Installation Instructions

2000 Series

Construct a 2" x 4" frame as per below making sure that the frame is level. Install the 2000 unit letting the bottom of the unit sit on the cross member. Level the unit. Screw the unit into the frame.



***Note:** The preferred method to mount the cross members is set the cross member into a 1/4" to 3/8" notch cut in the vertical uprights and screwed or nailed in place.

Alternative methods: Cross member can be nailed or screwed to uprights. Or brackets can be used to hold the cross members if no unit is to be mounted above or below the bracket.

2000 Series



815 South Main
Grapevine, TX 76051
Tel: (800) 762-6937